

## THE BLOCKS THAT MADE BOOS FAMOUS

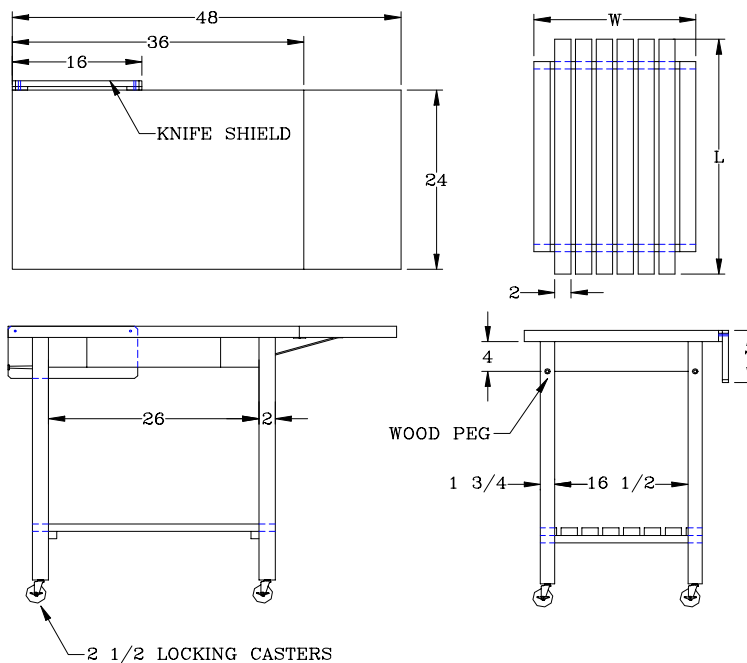


### Deluxe Culi Cart (Model QCL)

#### FEATURES:

- \* Solid Hard Rock Maple
- \* 36"x24"x1-1/2" Thick Edge Grain Work Surface
- \* 12" Drop Leaf
- \* Finished with Penetrating Oil
- \* Two Towel Pegs
- \* Knife Holder with Blade Shield
- \* Stand 36" O.A.H.
- \* 15" Utensil Drawer
- \* Electric Outlet Strip
- \* Casters
- \* Shipped knocked-down, easy - to - assemble

Model	Size	Wt
QCL	36"x24"	90



#### MATERIAL:

Top: Laminated Hard Rock Maple  
 Legs: Hard Rock Maple

### **John Boos & Co**

315 South First Street - Effingham, IL 62401  
 Phone: 217-347-7701 - Fax: 217-347-7705  
 Email: sales@johnboos.com - Web-site: www.johnboos.com