

## THE BLOCKS THAT MADE BOOS FAMOUS

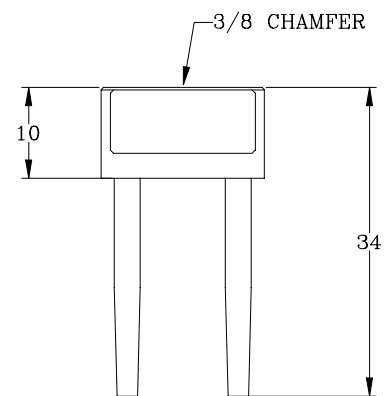
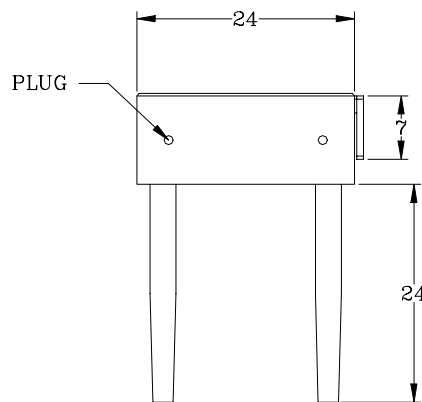
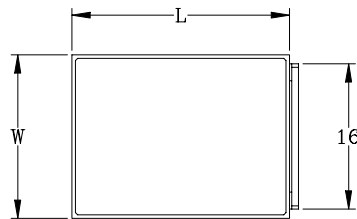
### Boos Block (Model PCA)



#### FEATURES:

- \* Solid Hard Rock Maple
- \* 10" Thick End Grain Work Surface
- \* Finished with Penetrating Oil
- \* Stand 34" O.A.H.
- \* TKS Wood Knife Holder Standard
- \* Options: Casters (CAS03)
- \* Shipped knocked-down, easy - to - assemble
- \* PCA1 & PCA 2 UPSable

Model	Size	Wt
PCA1	18"x18"	115
PCA2	24"x18"	142
PCA3	24"x24"	185
PCA4	30"x24"	225
PCA5	30"x30"	266



#### MATERIAL:

Top: End Grain Hard Rock Maple  
 Legs: Hard Rock Maple

### John Boos & Co

315 South First Street - Effingham, IL 62401  
 Phone: 217-347-7701 - Fax: 217-347-7705  
 Email: sales@johnboos.com - Web-site: www.johnboos.com