

## THE BLOCKS THAT MADE BOOS FAMOUS



Shown with Optional  
Wicker Basket Drawers

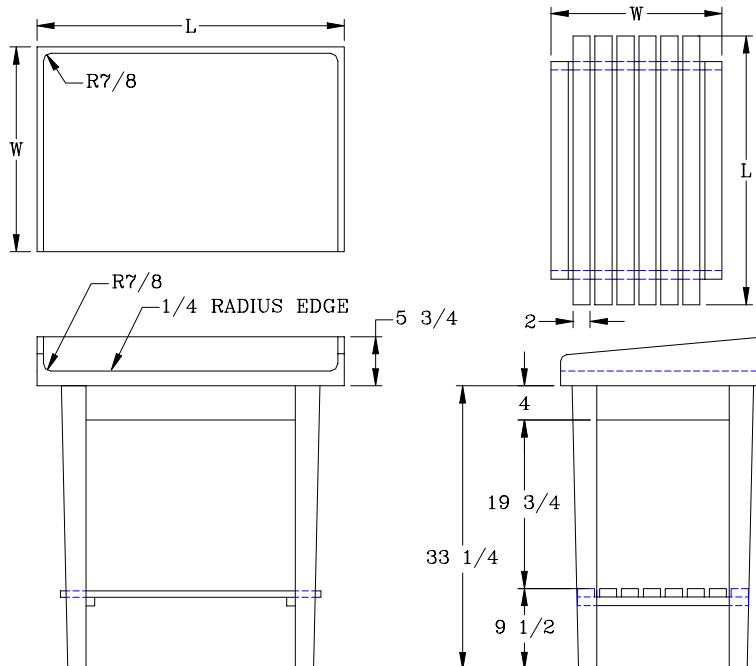
### White House Table (Model WH)

#### FEATURES:

- \* Solid Hard Rock Maple
- \* 1-3/4" Thick Edge Grain Work Surface
- \* Finished with Penetrating Oil
- \* 4" Coved Backsplash with Tapered Sides
- \* Stand 36" O.A.H.
- \* Options: Wicker Basket Drawers, Casters (CAS03)
- \* Shipped knocked-down, easy - to - assemble

Model	Size	Wt
* WH01-O	36"X24"	105
WH02-O	48"X24"	133
WH03-O	60"X24"	180
WH04-O	48"X30"	180
WH05-O	60"X30"	205
WH06-O	48"X36"	190
WH07-O	60"X36"	220

\* Denotes ONLY 1  
Basket Available



#### MATERIAL:

Top: Laminated Hard Rock Maple  
Legs: Hard Rock Maple

### John Boos & Co

315 South First Street - Effingham, IL 62401  
Phone: 217-347-7701 - Fax: 217-347-7705  
Email: sales@johnboos.com - Web-site: www.johnboos.com